



JOLLY 4 PLUS

Product Data Mobile radiographic unit

X-RAY GENERATOR - High Frequency monobloc

Maximum power	4 kW (40 mA - 100 kV @ 100 ms)
Maximum voltage	110 kV
Maximum mA	100 mA
Maximum mAs	200 mAs
kV range	40 ÷ 110 kV (step 1 kV)
mA range	25 ÷ 100 mA (7 steps)
mAs range (2-point technique)	0.1 ÷ 200 mAs (34 steps)
Exposure time	3 ÷ 6300 ms (34 steps)
Monobloc thermal capacity	520 kJ
Monobloc continuous thermal dissipation	65 W
Frequency	40 kHz
kV ripple	≤ 2 % @ maximum power
Leakage radiation (IEC 60601-1-3)	< 0.5 mGy/h
Total filtration	> 2.5 mm Al @ 75 kV

X-RAY TUBE

Type	Stationary anode X-ray tube
Focal spot size	Small focus 0.5 mm - Large focus 1.5 mm Focus used 1.5 mm
Maximum voltage	120 kV
Anode material	Tungsten
Anode angle	12°
Anode heat storage capacity	30 kJ (40 KHU)
Maximum continuous anode heat dissipation	270 W

COLLIMATOR

Mode of operation	Manual
Field type	Square field
Field adjustment	From 0x0 cm to 43x43 cm at 1 m F.F.D.
Light source	High intensity LED lamp (160 lux) for X-ray field simulation with automatic switching OFF programmable by software from 5 s to 120 s
F.F.D. measurement	Retractable tape measure
Collimator manual rotation	± 90° around its vertical axis

CONTROL CONSOLE

Type	Microprocessor controlled console		
Display	10" TFT LCD touchscreen, 16.2 million colours, 340 cd/m ² Resolution 1024 × 600 pixels		
Alarm	Acoustic and luminous X-ray emission alarm		
Available languages	Bulgarian	Greek	Romanian
	Czech	Hungarian	Russian
	Danish	Indonesian	Spanish
	Dutch	Italian	Swedish
	English	Norwegian	Turkish
	Finnish	Polish	Vietnamese
	French	Portuguese Brazilian	
	German	Portuguese	



JOLLY 4 PLUS

Product Data Mobile radiographic unit

OPERATION MODE

Pre-selected radiography technique (APR)	2-point technique (kV and mAs)
Free-format radiography technique	2-point technique (kV and mAs)
Anatomical programming	3-point technique (kV, mA and ms)
Compensation levels	477 stored techniques
Film screen selection	5 patient's thickness compensation levels
Firmware updating	3 speeds
	Through an internal USB port

EXPOSURE CONTROL

Hand switch	Two-step hand switch complete of spiral cable extendable up to $\cong 3.8$ m
-------------	--

MECHANICAL FEATURES

Type of equipment	Mobile device with arm and X-ray group completely counterbalanced
Wheels material	Antistatic rubber
Brake	Dead man brake system
Focus-floor distance	Variable from 450 mm to 2000 mm
Monobloc yoke support rotation	- 90° ÷ + 90°
Monobloc rotation in the yoke	- 35° ÷ + 190°
Overall dimensions in transport position	1095 × 680 × 1580 (H) mm
Weight	$\cong 165$ kg

SAFETY AND PROTECTION

Automatic control and protection of the filament current
Overcurrent protection
Overvoltage protection
X-ray tube overload protection
Monobloc KHU automatic survey
Errors description

DIGITAL RADIOGRAPHY UPGRADE

Designed for easy upgrade to Digital Imaging with Integrated Control Console
Optional upgrade kit for image acquisition, post-processing and DICOM applications

POWER SUPPLY REQUIREMENTS

Voltage	230 Vac single phase (115 Vac on request)
Frequency	50/60 Hz
Nominal current	5 A (7.5 A @ 115 Vac)
Momentary current	32 A (42.5 A @ 115 Vac)
Line compensation	± 10 % automatic
Total line resistance	0.4 Ω



JOLLY 4 PLUS

Product Data Mobile radiographic unit

ENVIROMENTAL CONDITIONS

Temperature
Humidity (condensate-free)
Altitude pressure range

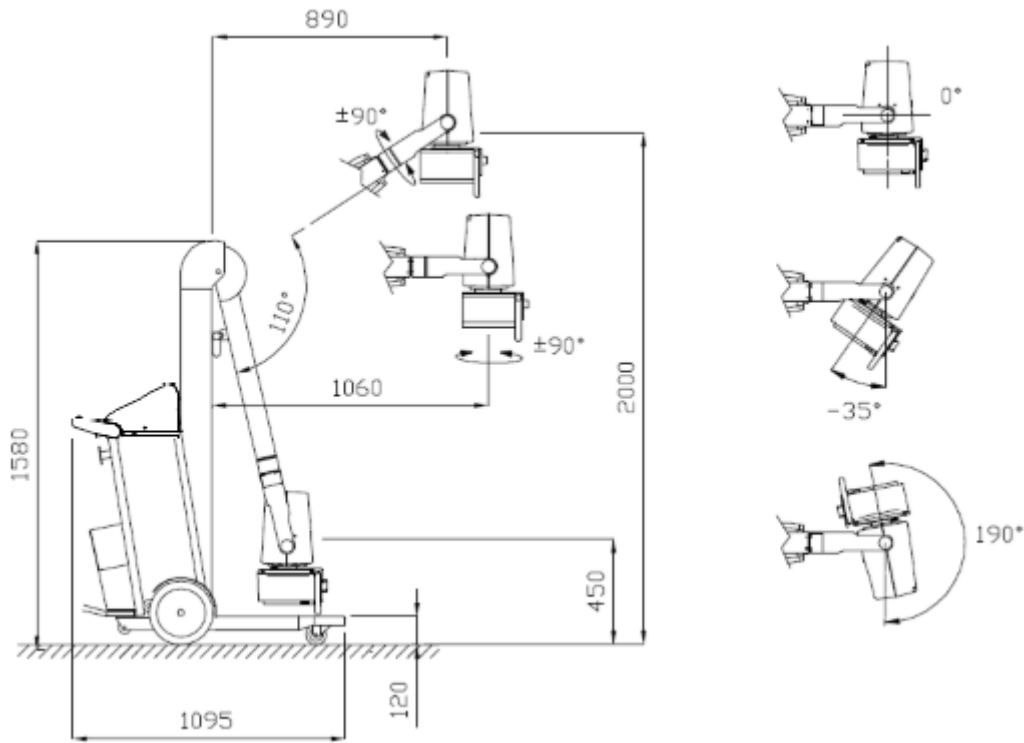
Under delivery and stock

From -15 °C to + 70 °C
From 5 % to 95 %
3000 meters maximum
700 hPa / 525 mm Hg

Under Operating

From +10 °C to + 40 °C
From 20 % to 80 %
3000 meters maximum
700 hPa / 525 mm Hg

DIMENSIONS



ESSE3 srl, Via Garibaldi 30
14022 Castelnuovo D.B. (AT)
Tel +39 011 99 27 706
Fax +39 011 99 27 506
e-mail: danielec@esse3-medical.com
web: www.esse3-medical.com



PD-01-E Rev. 21 - 24.02.2021

Note: Specifications are subject to change without prior notice.